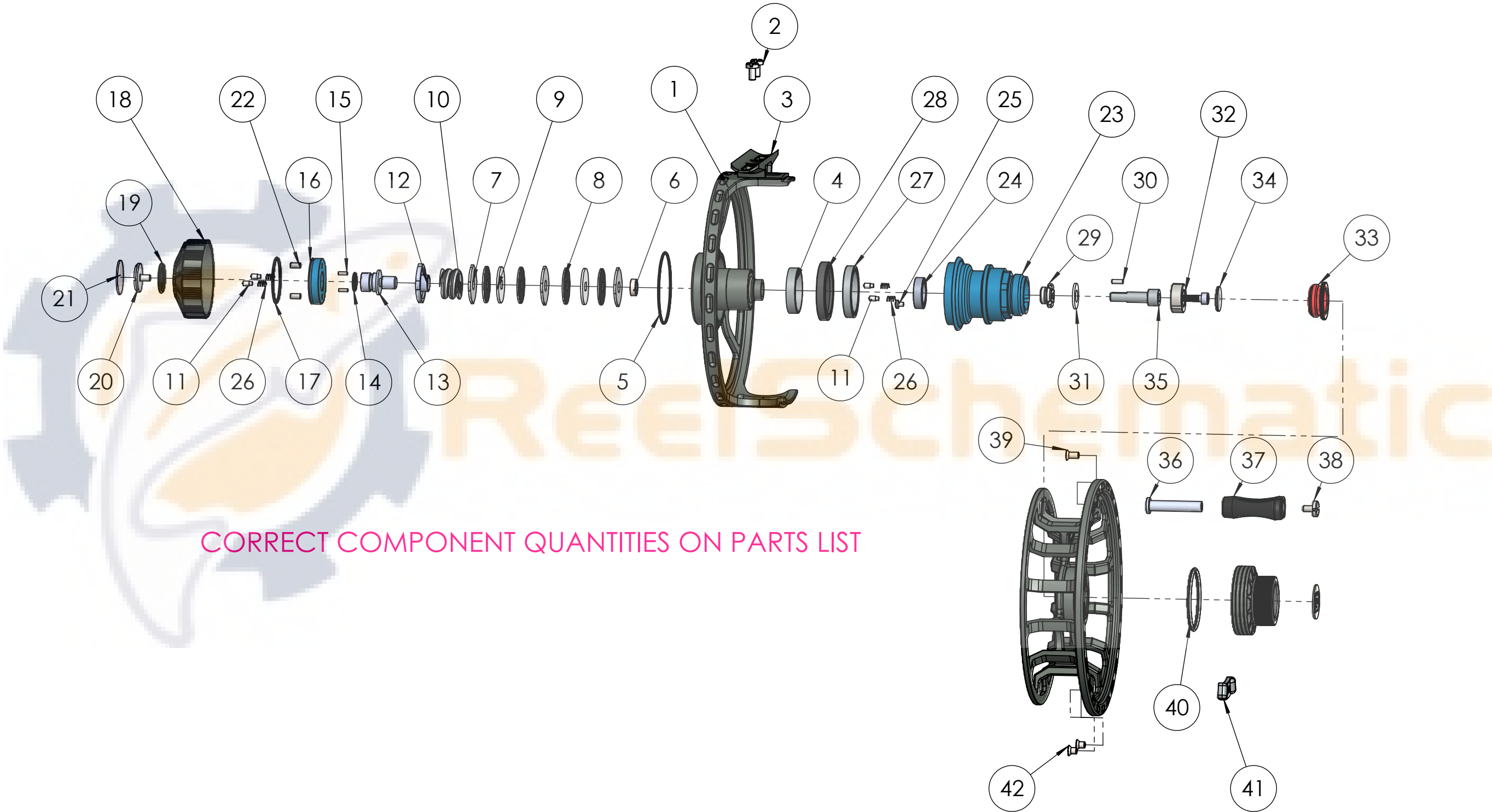


FORTUNA REGENT



CORRECT COMPONENT QUANTITIES ON PARTS LIST

HARDY FORTUNA REGENT

No.	Part Name	QTY	8000 1564808	10000 1564969	12000 1564970	8000 1577676 Black	10000 1577677 Black	12000 1577678 Black
1	Frame	1	N/A			N/A		
2	REEL FOOT SCREWS	2	1569416			1569416		
3	REEL FOOT	1	1569413	1569414	1569415	1593797	1593798	1594579
4	FRAME BUSH	1	1569418			1569418		
5	FRAME RADIAL O RING	1	1569417			1569417		
6	BEARING 68	1	1569419			1569419		
7	EXTERNAL KEY WASHER	3	1569420 QTY 3	1569420 QTY 4	1569420 QTY 5	1569420 QTY 3	1569420 QTY 4	1569420 QTY5
8	CARBON BRAKE WASHER	4	1569421 QTY 4	1569421 QTY 6	1569421 QTY 8	1569421 QTY 4	1569421 QTY6	1569421 QTY8
9	INTERNAL KEY WASHER	2	1569422 QTY 2	1569422 QTY 3	1569422 QTY 4	1569422 QTY 2	1569422 QTY 3	1569422 QTY 4
10	COMPRESSION SPRING	1	1569423			1569423		
11	BUTTON CLICKER	4	1569424			1569424		
12	DRAG NUT	1	1569426			1569426		
13	DRAG SCREW	1	1569428			1569428		
14	DRAG NUT O RING	1	1569427			1569427		
15	DRAG KNOB PIN	2	1569429			1569429		
16	FRAME ARBOUR SCREW	1	1569430			1569430		
17	FRAME ARBOR SCREW O RING	1	1569431			1569431		
18	REGULATOR KNOB	1	1569432			1594580		
19	DRAG KNOB SCREW O RING	1	1569433			1569433		
20	DRAG KNOB SCREW	1	1569434			1569434		
21	CASTLE BADGE	2	1569412			1593796		
22	DRAG SET SCREW	2	1569435			1569435		
23	SPOOL AXLE	1	1569436	1569437	1569438	1594581	1594582	1594583
24	FRONT BEARING	1	1569439			1569439		
25	PAN HEAD SCREW	1	1569440			1569440		
26	BUTTON CLICKER SPRING	4	1569425			1569425		
27	REAR BEARING	1	1569443			1569443		
28	ROTARY SHAFT SEAL	1	1569444			1569444		
29	DRAG COMPARTMENT SCREW	1	1569445			1569445		
30	ONE WAY CLUTCH PIN	1	1569446			1569446		
31	TEFLON SEAL	1	1569447			1569447		
32	ONE WAY CLUTCH	1	1569448			1569448		
33	CLUTCH COVER	1	1569449			1569449		
34	CLUTCH COVER PROTECTOR	1	1569450			1569450		
35	DRIVE SPINDLE	1	1569452	1569453	1569454	1569452	1569453	1569454
36	HANDLE WIRE	1	1569400	1569401		1569400	1569401	
37	HANDLE	1	1569402	1569403		1569402	1569403	
38	HANDLE SCREW	1	1569404			1569404		
39	HANDLE WIRE FIXING SCREW	1	1569405			1569405		
40	SPOOL NUT O RING	1	1569406			1569406		
41	COUNTER BALANCE	1	1569408	1569409	1569410	1569408	1569409	1569410
42	COUNTER BALANCE SCREW	2	1569411			1569411		
43	DRUM	1						
44	DRUM LATCH NUT	1	1569407			1593795		
45		1						